

# GTAW TORCH - WATER COOLED 350 AMP

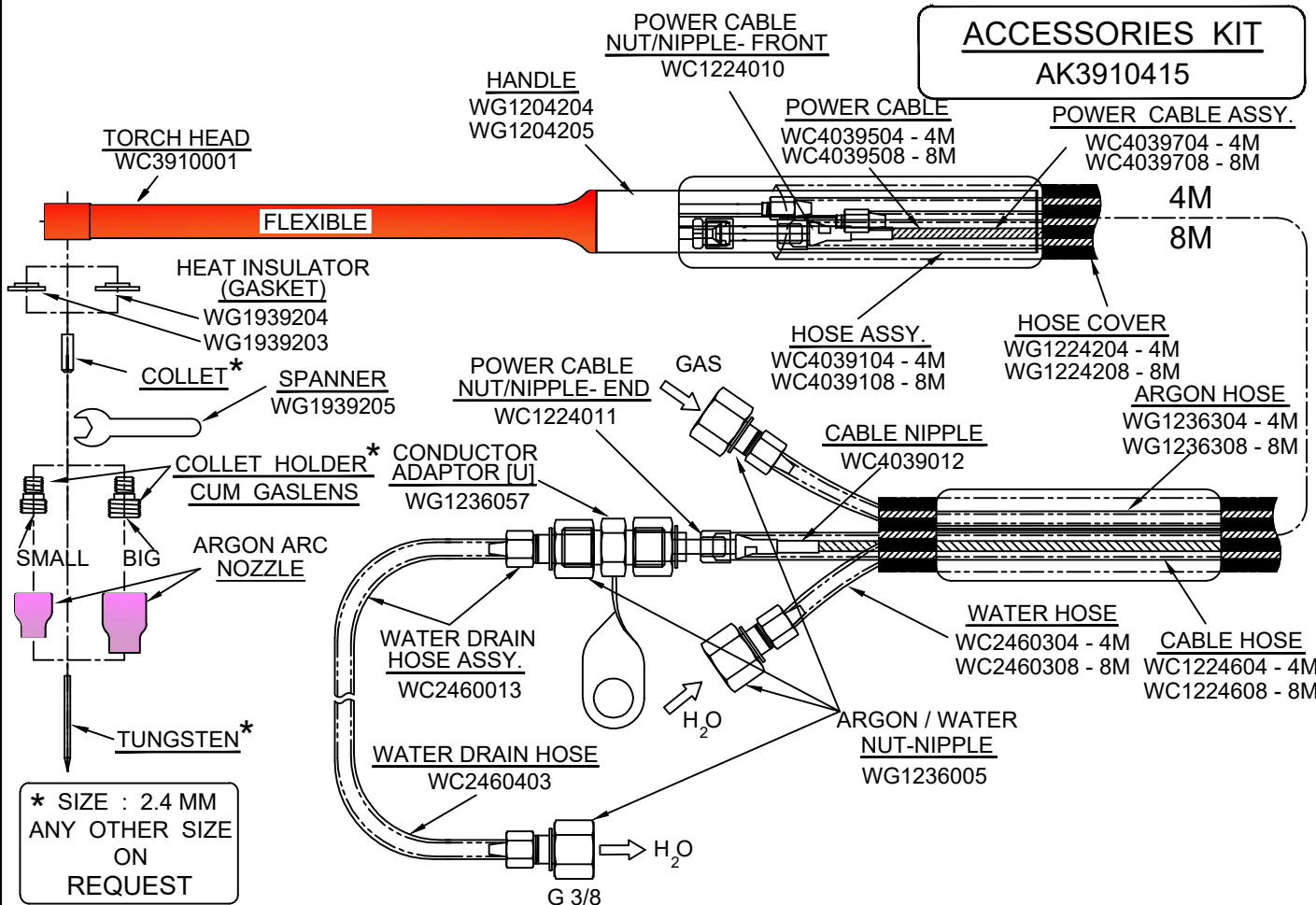
## MODEL - WC391

### TORCH KIT

- 4 MTR - WC391000104
- 8 MTR - WC391000108
- MTR - WC3910001

### ACCESSORIES KIT

AK3910415



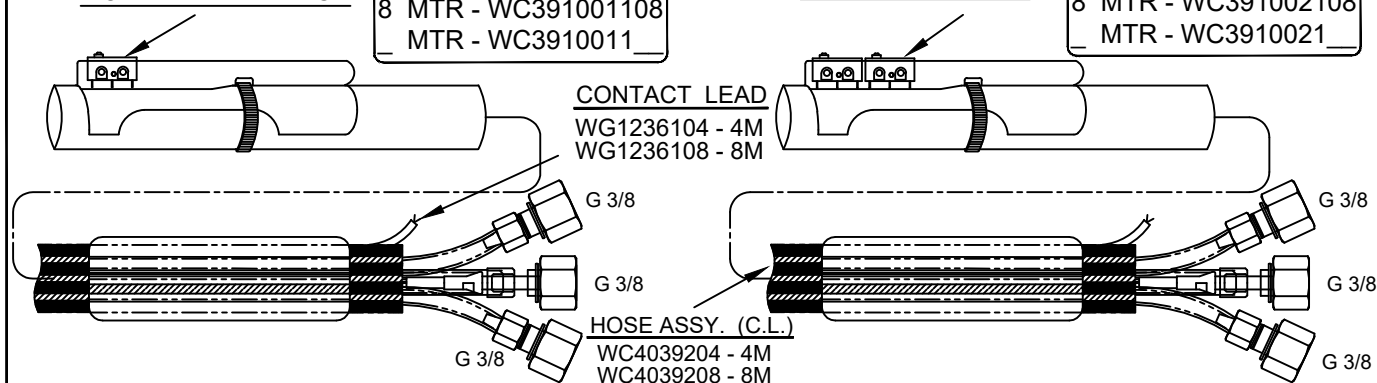
\* SIZE : 2.4 MM  
ANY OTHER SIZE  
ON  
REQUEST

### GAS CONTROL MOMENTARY SWITCH

- ### TORCH KIT
- 4 MTR - WC391001104
  - 8 MTR - WC391001108
  - MTR - WC3910011

### GAS CONTROL ON / OFF SWITCH

- ### TORCH KIT
- 4 MTR - WC391002104
  - 8 MTR - WC391002108
  - MTR - WC3910021



NOTE : MOMENTARY & ON/OFF SWITCH TORCHES ARE WITHOUT CONDUCTOR ADAPTOR & EXT. ASSY. (SELECT HOOKUP KIT PARTS AS PER YOUR REQUIREMENTS)

TUNGSTEN - MM			COLLET - MM		C. H. CUM GAS LENS			ARGON ARC NOZZLE			
SIZE	LEN.	PART	SIZE	PART	SIZE	SMALL - PART	BIG - PART	BORE	SMALL - PART	BORE	L 30 - PART
1.0	29	WEC0102301029	1.0	WG1939010	1.0	WG1939110	WG1939210	6 MM	WG1230613	6 MM	WG1260630
1.6	29	WOR0102301629	1.6	WG1939016	1.6	WG1939115	WG1939215		WG1230616	8 MM	WG1260830
2.0	29	WOR0102302029	2.0	WG1939020	2.0	WG1939120	WG1939220	8 MM	WG1230813	10 MM	WG1261030
2.4	29	WOR0102302429	2.4	WG1939024	2.4	WG1939125	WG1939225		WG1230816	12 MM	WG1261230
3.0	29	WOR0102303029	3.0	WG1939030	3.0 / 3.2	WG1939130	WG1939230	10 MM	WG1231013	15 MM	WG1261530
3.2	29	WOR0102303229	3.2	WG1939032					WG1231016		