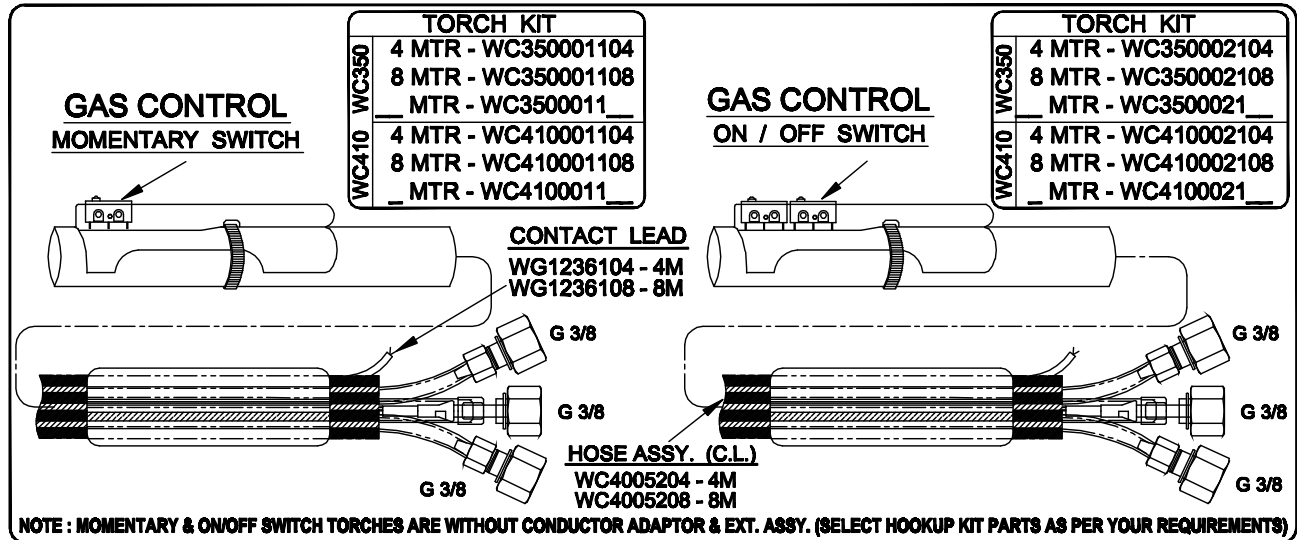
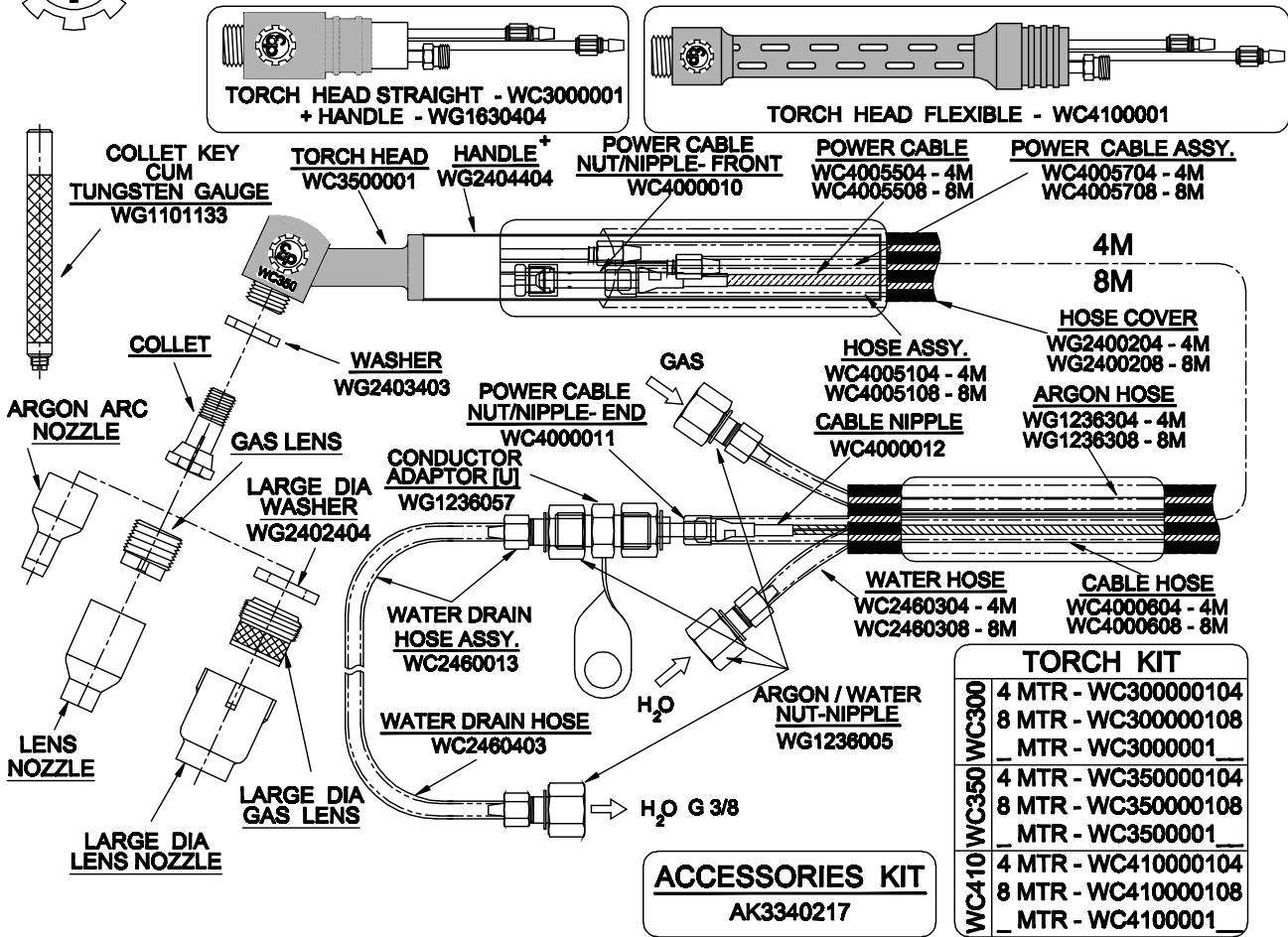


GTAW TORCH - WATER COOLED 400 AMP

MODEL - WC300[®] ; WC350 ; 410



ARGON ARC NOZZLE			COLLET		GAS LENS		LENS NOZZLE (L35)		LARGE DIA GASLENS		LARGE DIA LENS NOZZLE	
BORE	LENGTH	PART NO.	SIZE	PART NO.	SIZE	PART NO.	BORE	PART NO.	SIZE	PART NO.	BORE	PART NO.
4 MM	50 MM	WG2410450										
4 MM	70 MM	WG2410470	0.5	WG1300005	1.0	WG2400110	6	WG2460635	1.0	WG2400210	10	WG2461040
6 MM	30 MM	WG2410630	1.0	WG1300010	1.6	WG2400115	8	WG2460835	1.6	WG2400215	13	WG2461340
6 MM	40 MM	WG2410640	1.6	WG1300018	2.0	WG2400120			2.0	WG2400220		
6 MM	50 MM	WG2410650	2.0	WG1300020	2.4	WG2400125	10	WG2461035	2.4	WG2400225	16	WG2461640
6 MM	70 MM	WG2410670	2.4	WG1300024	3.0 / 3.2	WG2400130			3.0 / 3.2	WG2400230		
6 MM	90 MM	WG2410690	3.0	WG1300030	4.0	WG2400140	12	WG2461235	4.0	WG2400240	19	WG2461940
10 MM	30 MM	WG2411030	3.2	WG1300032	5.0	WG2400150			5.0	WG2400250		
10 MM	40 MM	WG2411040	4.0	WG1300040			15	WG2461535			24	WG2462440
10 MM	50 MM	WG2411050	5.0	WG1300050								
10 MM	70 MM	WG2411070										
12 MM	40 MM	WG2411240										
15 MM	40 MM	WG2411540										