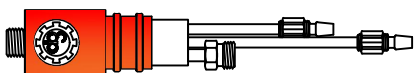
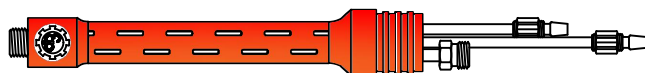


GTAW TORCH - WATER COOLED 200 AMP

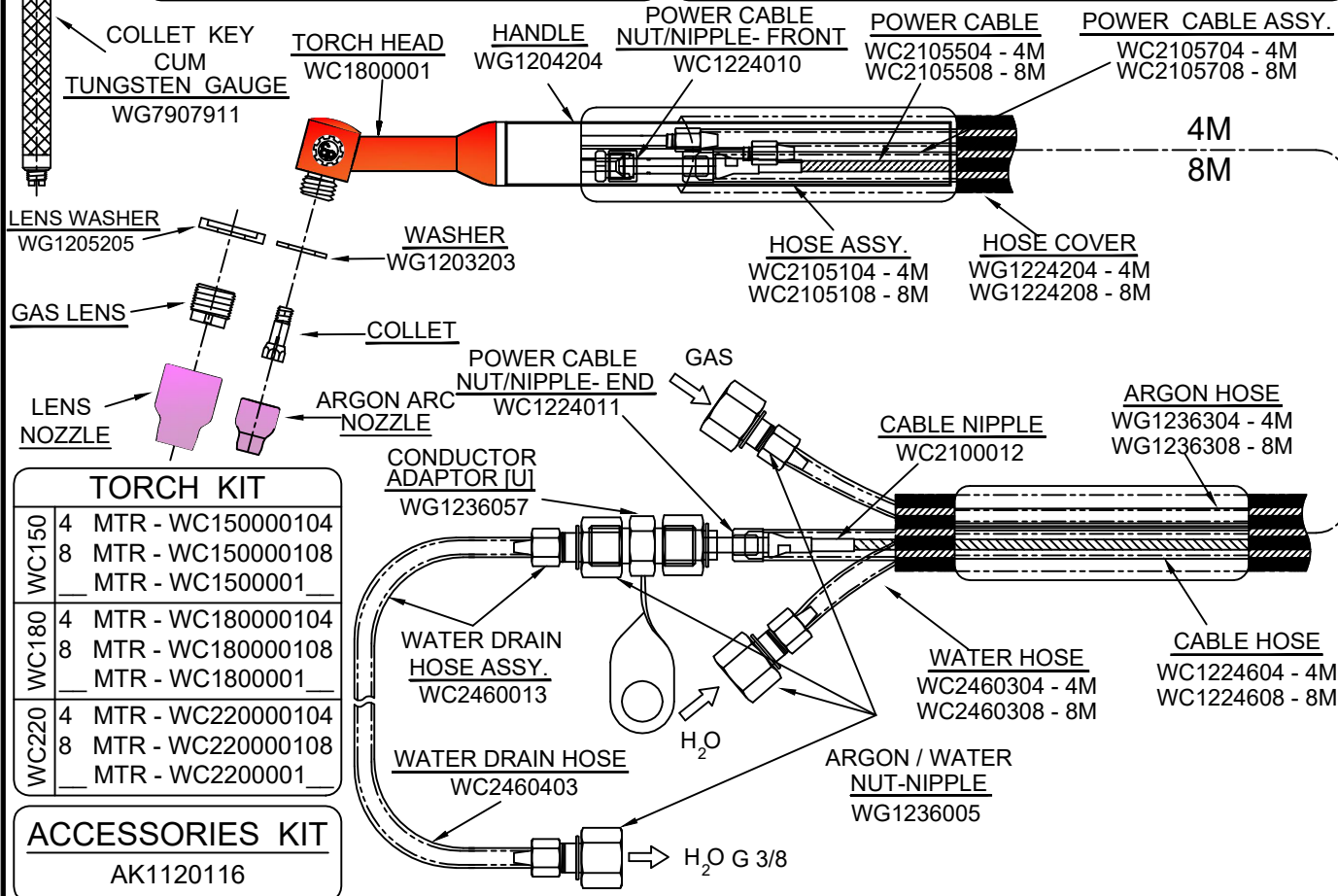
MODEL - WC150[®] ; WC180[®] ; WC220[®]



TORCH HEAD STRAIGHT - WC1500001

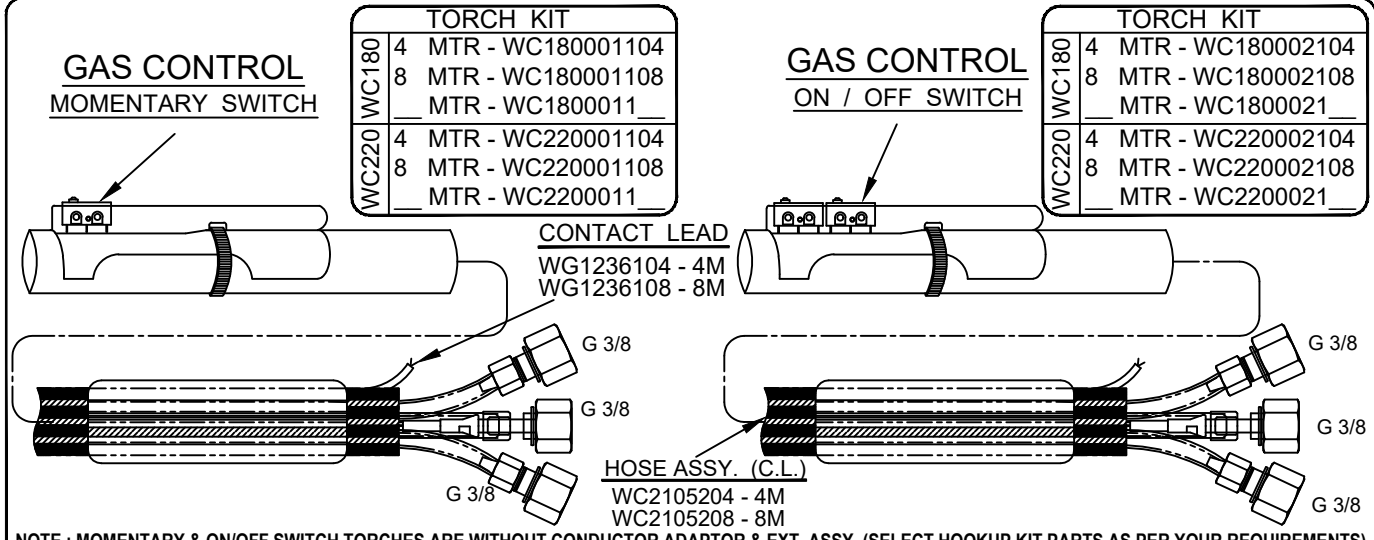


TORCH HEAD FLEXIBLE - WC2200001



TORCH KIT			
WC150	4	MTR - WC150000104	
	8	MTR - WC150000108	
		MTR - WC1500001	
WC180	4	MTR - WC180000104	
	8	MTR - WC180000108	
		MTR - WC1800001	
WC220	4	MTR - WC220000104	
	8	MTR - WC220000108	
		MTR - WC2200001	

ACCESSORIES KIT	
AK1120116	



NOTE : MOMENTARY & ON/OFF SWITCH TORCHES ARE WITHOUT CONDUCTOR ADAPTOR & EXT. ASSY. (SELECT HOOKUP KIT PARTS AS PER YOUR REQUIREMENTS)

ARGON ARC NOZZLE			COLLET		GAS LENS		LENS NOZZLE		
BORE	LENGTH	PART NO.	SIZE-MM	PART NO.	SIZE-MM	PART NO.	BORE	LENGTH	PART NO.
4 MM	50 MM	WG1230450	1.0	WG8100010	1.5 / 1.6	WG1200115	6 MM	30 MM	WG1260630
6 MM	16 MM	WG1230616	1.2	WG8100012			8 MM	30 MM	WG1260830
6 MM	25 MM	WG1230625	1.5	WG8100015	2.0	WG1200120	10 MM	30 MM	WG1261030
6 MM	50 MM	WG1230650	1.6	WG8100016			12 MM	30 MM	WG1261230
6 MM	80 MM	WG1230680	2.0	WG8100020	2.4 / 2.5	WG1200125	15 MM	30 MM	WG1261530
8 MM	16 MM	WG1230816	2.4	WG8100024					
8 MM	25 MM	WG1230825	3.0	WG8100030	3.0 / 3.2	WG1200130			
10 MM	16 MM	WG1231016	3.2	WG8100032					
10 MM	25 MM	WG1231025							

C:\DWG\SI\WC180\WC180\ASSY-RD.DWG 04/05