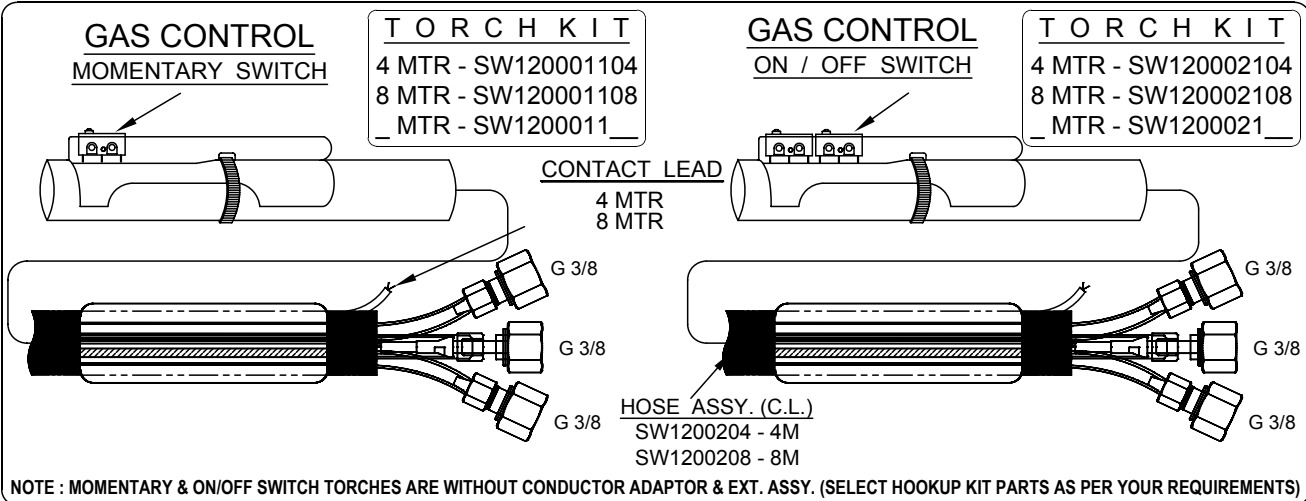
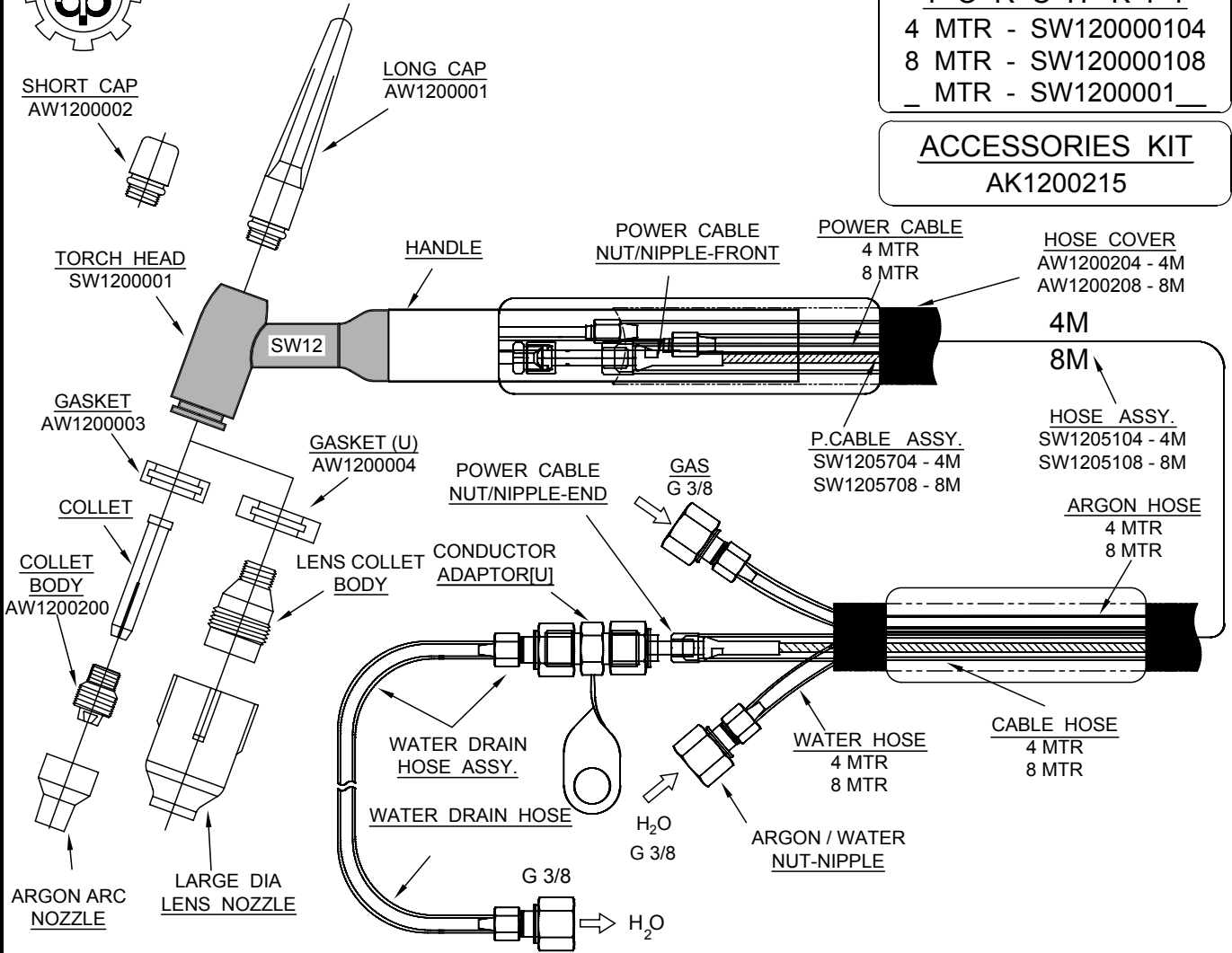


GTAW TORCH - WATER COOLED 500 AMP MODEL - SW12

- T O R C H K I T**

4 MTR - SW120000104
8 MTR - SW120000108
_ MTR - SW1200001_
- A C C E S S O R I E S K I T**

AK1200215



ARGON ARC NOZZLE			COLLET		LENS COLLET BODY		LARGE DIA LENS NOZZLE					
BORE	LENGTH	PART NO.	SIZE-MM	PART NO.	SIZE-MM	PART NO.	BORE	LENGTH	PART NO.			
6.4	32	AW1206432	1.6	AW1200016	1.5 / 1.6	AW1200115	9.5	48	AW2509548			
8.0	32	AW1208032	2.0	AW1200020	2.0	AW1200120						
9.5	32	AW1209532	2.4	AW1200024		2.4	AW1200124	12.7	48	AW2512748		
11.0	32	AW1211032	3.0	AW1200030	3.0 / 3.2		AW1200130					
12.7	32	AW1212732	3.2	AW1200032		4.0	AW1200140	16.0	48	AW2516048		
16.0	32	AW1216032	4.0	AW1200040	4.8 / 5.0		AW1200150					
19.0	32	AW1219032	4.8	AW1200048		19.0	48	19.0	48	AW2519048		
			5.0	AW1200050	23.8						35	AW2523835
			6.0	AW1200060								
			6.4	AW1200064								

IN VIEW OF CONTINUOUS DEVELOPMENT, WE RESERVE THE RIGHT TO MODIFY THE DESIGN AND/OR DIMENSIONS WITHOUT NOTICE.