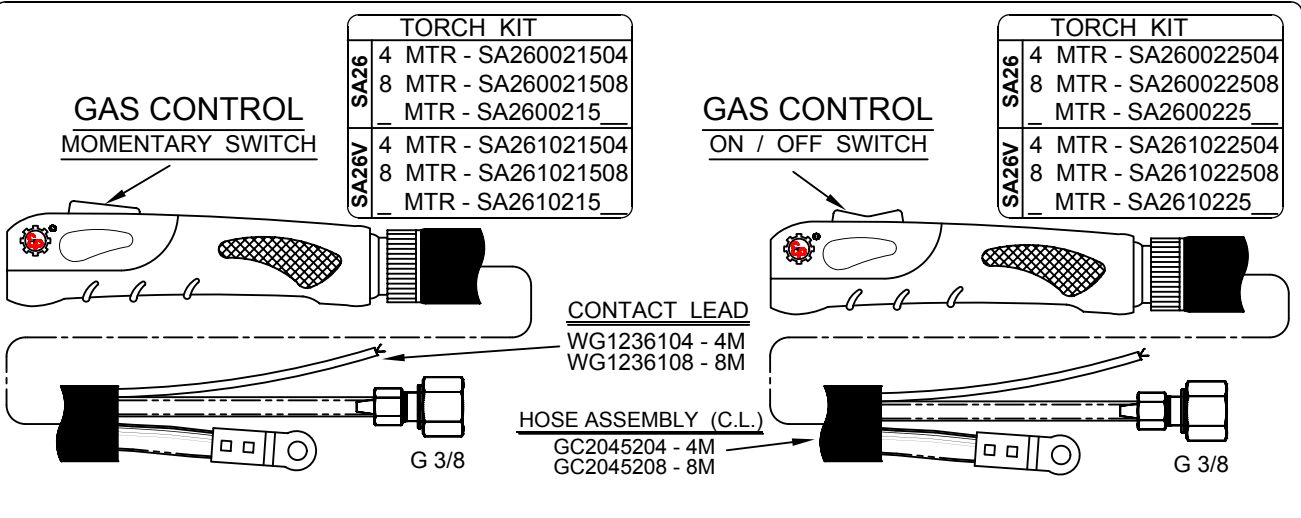
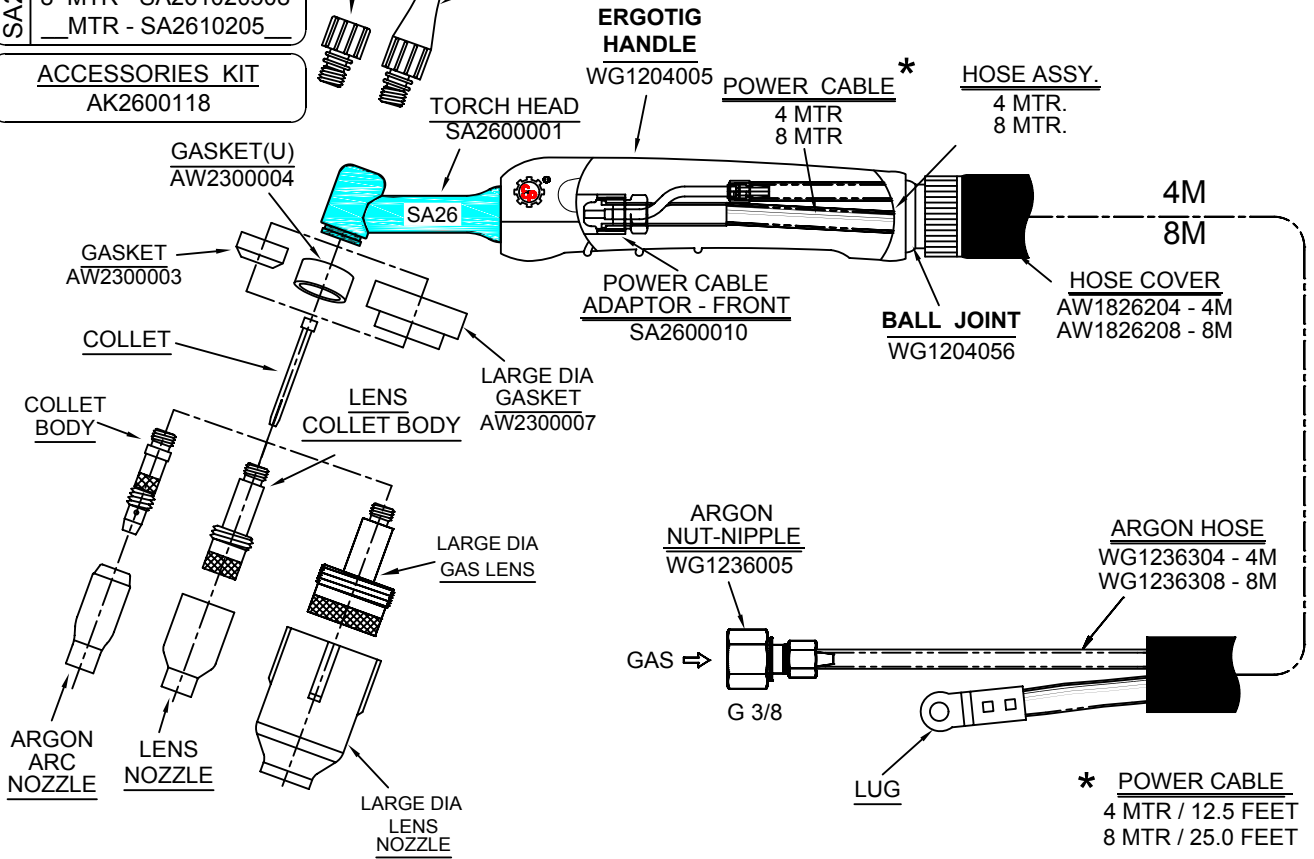
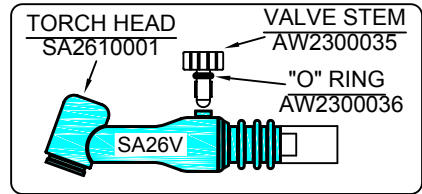


GTAW TORCH - AIR COOLED 200 AMP MODEL - SA26 / SA26V ERGOTIG HANDLE

TORCH KIT	
SA26	4 MTR - SA260020504
	8 MTR - SA260020508 _MTR - SA2600205_
SA26V	4 MTR - SA261020504
	8 MTR - SA261020508 _MTR - SA2610205_

ACCESSORIES KIT	
AK2600118	



TORCH KIT	
SA26	4 MTR - SA260021504
	8 MTR - SA260021508 MTR - SA2600215_
SA26V	4 MTR - SA261021504
	8 MTR - SA261021508 MTR - SA2610215_

TORCH KIT	
SA26	4 MTR - SA260022504
	8 MTR - SA260022508 MTR - SA2600225_
SA26V	4 MTR - SA261022504
	8 MTR - SA261022508 MTR - SA2610225_

ARGON ARC NOZZLE			COLLET			COLLET BODY			LENS COLLET BODY			LENS NOZZLE			LARGE DIA GASLENS		L. DIA LENS NOZZLE LENGTH 48	
BORE	LENGTH	PART NO.	SIZE-MM	PART NO.	PART NO.	PART NO.	BORE	LENGTH	PART NO.	PART NO.	BORE	LENGTH	PART NO.	PART NO.	BORE	PART NO.		
6.4 MM	47 MM	AW2306447	1.0	AW2300010	AW2300210	AW2300110	6.4 MM	40 MM	AW2506440	AW2300410	9.5 MM	AW2509548	75 MM	AW2306475	AW2508040	AW2300415		
	75 MM	AW2308047						75 MM	AW2508075									
8.0 MM	47 MM	AW2308047	1.6	AW2300016	AW2300215	AW2300115	8.0 MM	40 MM	AW2508040	AW2300420	12.7 MM	AW2512748	75 MM	AW2308075	AW2509540	AW2300425		
	75 MM	AW2308075						40 MM	AW2509540								75 MM	AW2509575
9.5 MM	47 MM	AW2309547	2.0	AW2300020	AW2300220	AW2300120	9.5 MM	40 MM	AW2509540	AW2300430	16.0 MM	AW2516048	75 MM	AW2309575	AW2511040	AW2300430		
	75 MM	AW2309575						40 MM	AW2511040								75 MM	AW2511075
11.0 MM	47 MM	AW2311047	2.4	AW2300024	AW2300225	AW2300125	11.0 MM	40 MM	AW2511040	AW2300430	19.0 MM	AW2519048	75 MM	AW2311075	AW2512740	AW2300430		
	75 MM	AW2311075						40 MM	AW2512740									
12.7 MM	47 MM	AW2312747	3.0	AW2300030	AW2300230	AW2300130	12.7 MM	40 MM	AW2512740	AW2300430	19.0 MM	AW2519048	75 MM	AW2512740	AW2300430			
			3.2	AW2300032														

IN VIEW OF CONTINUOUS DEVELOPMENT, WE RESERVE THE RIGHT TO MODIFY THE DESIGN AND/OR DIMENSIONS WITHOUT NOTICE. P.T.O.

C:\DWG\SIS\SA26\SA26ASSY-ET.DWG 08/10