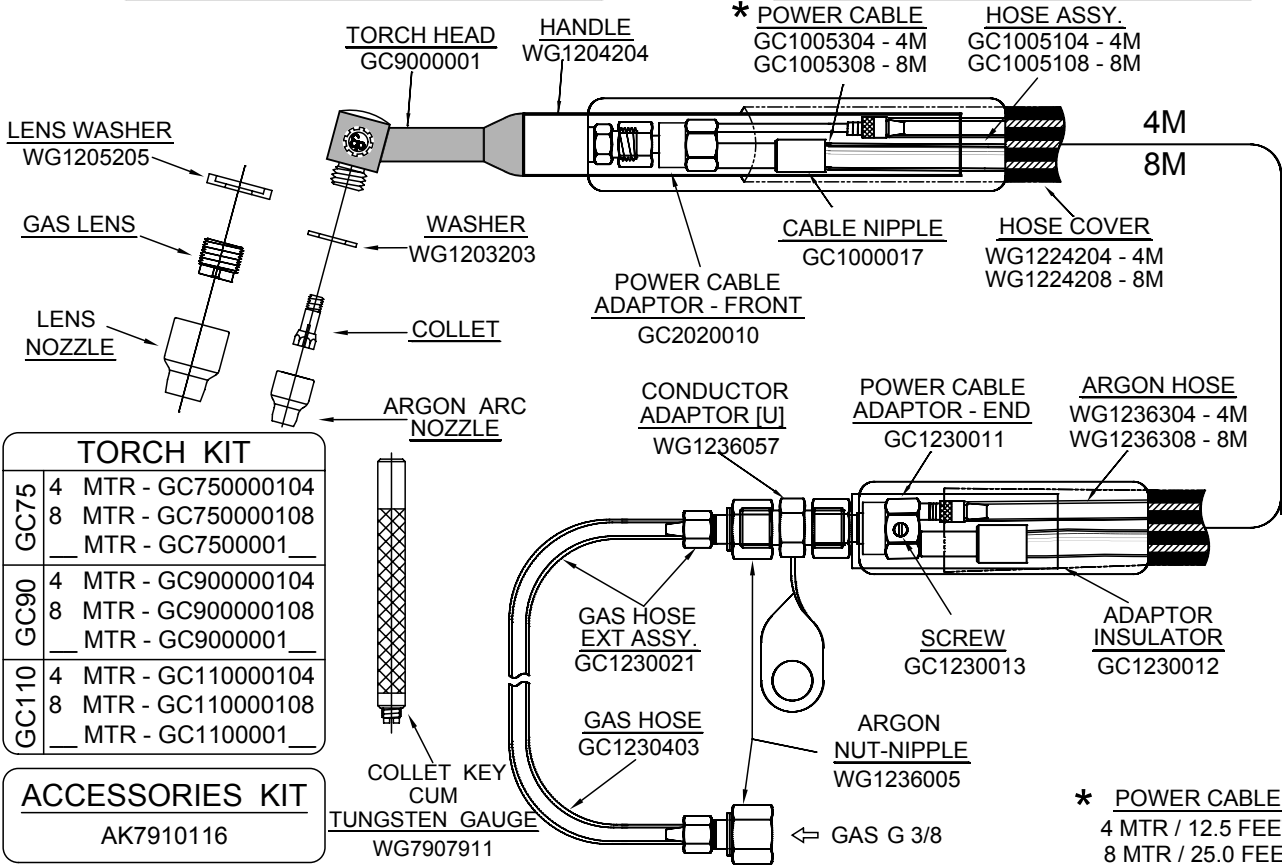
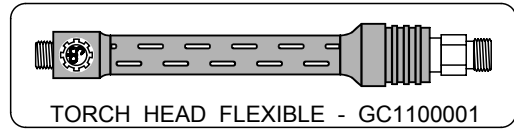
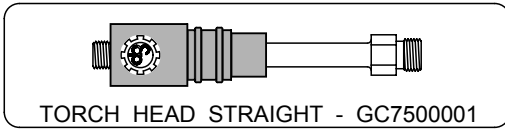


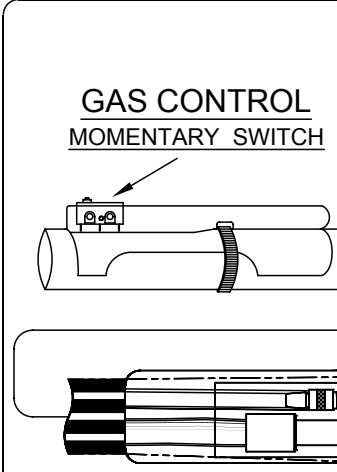
GTAW TORCH - GAS COOLED 100 AMP

MODEL - GC75[®]; GC90[®]; GC110[®]

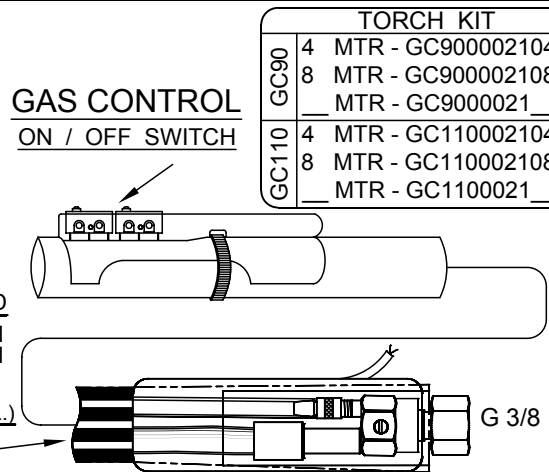


TORCH KIT	
GC75	4 MTR - GC750000104 8 MTR - GC750000108 MTR - GC7500001
GC90	4 MTR - GC900000104 8 MTR - GC900000108 MTR - GC9000001
GC110	4 MTR - GC110000104 8 MTR - GC110000108 MTR - GC1100001

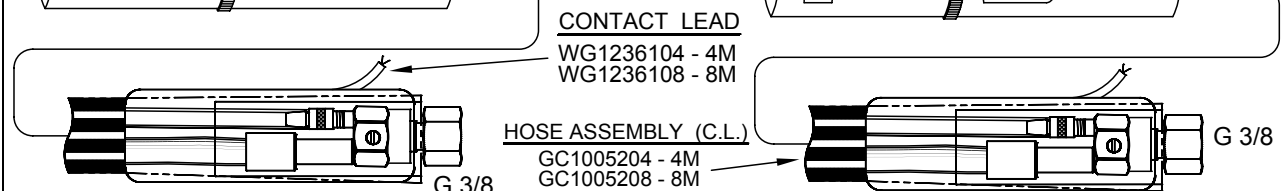
ACCESSORIES KIT	
AK7910116	



TORCH KIT	
GC90	4 MTR - GC900001104 8 MTR - GC900001108 MTR - GC9000011
GC110	4 MTR - GC110001104 8 MTR - GC110001108 MTR - GC1100011



TORCH KIT	
GC90	4 MTR - GC900002104 8 MTR - GC900002108 MTR - GC9000021
GC110	4 MTR - GC110002104 8 MTR - GC110002108 MTR - GC1100021



NOTE : MOMENTARY & ON/OFF SWITCH TORCHES ARE WITHOUT CONDUCTOR ADAPTOR & EXT. ASSY. (SELECT HOOKUP KIT PARTS AS PER YOUR REQUIREMENTS)

ARGON ARC NOZZLE			COLLET		GAS LENS		LENS NOZZLE		
BORE	LENGTH	PART NO.	SIZE-MM	PART NO.	SIZE-MM	PART NO.	BORE	LENGTH	PART NO.
4 MM	50 MM	WG1230450	0.5	WG8100005	1.0	WG1200110	6 MM	30 MM	WG1260630
6 MM	16 MM	WG1230616	0.8	WG8100008			8 MM	30 MM	WG1260830
6 MM	25 MM	WG1230625	1.0	WG8100010	1.5 / 1.6	WG1200115			
6 MM	50 MM	WG1230650	1.2	WG8100012			2.0	WG1200120	12 MM
6 MM	80 MM	WG1230680	1.5	WG8100015	2.4 / 2.5	WG1200125			
8 MM	16 MM	WG1230816	1.6	WG8100016					
8 MM	25 MM	WG1230825	2.0	WG8100020					
10 MM	16 MM	WG1231016	2.4	WG8100024					
10 MM	25 MM	WG1231025							

IN VIEW OF CONTINUOUS DEVELOPMENT, WE RESERVE THE RIGHT TO MODIFY THE DESIGN AND/OR DIMENSIONS WITHOUT NOTICE.

C:\DWG\SIG\GC90\ASSY-RD.DWG 04/05