

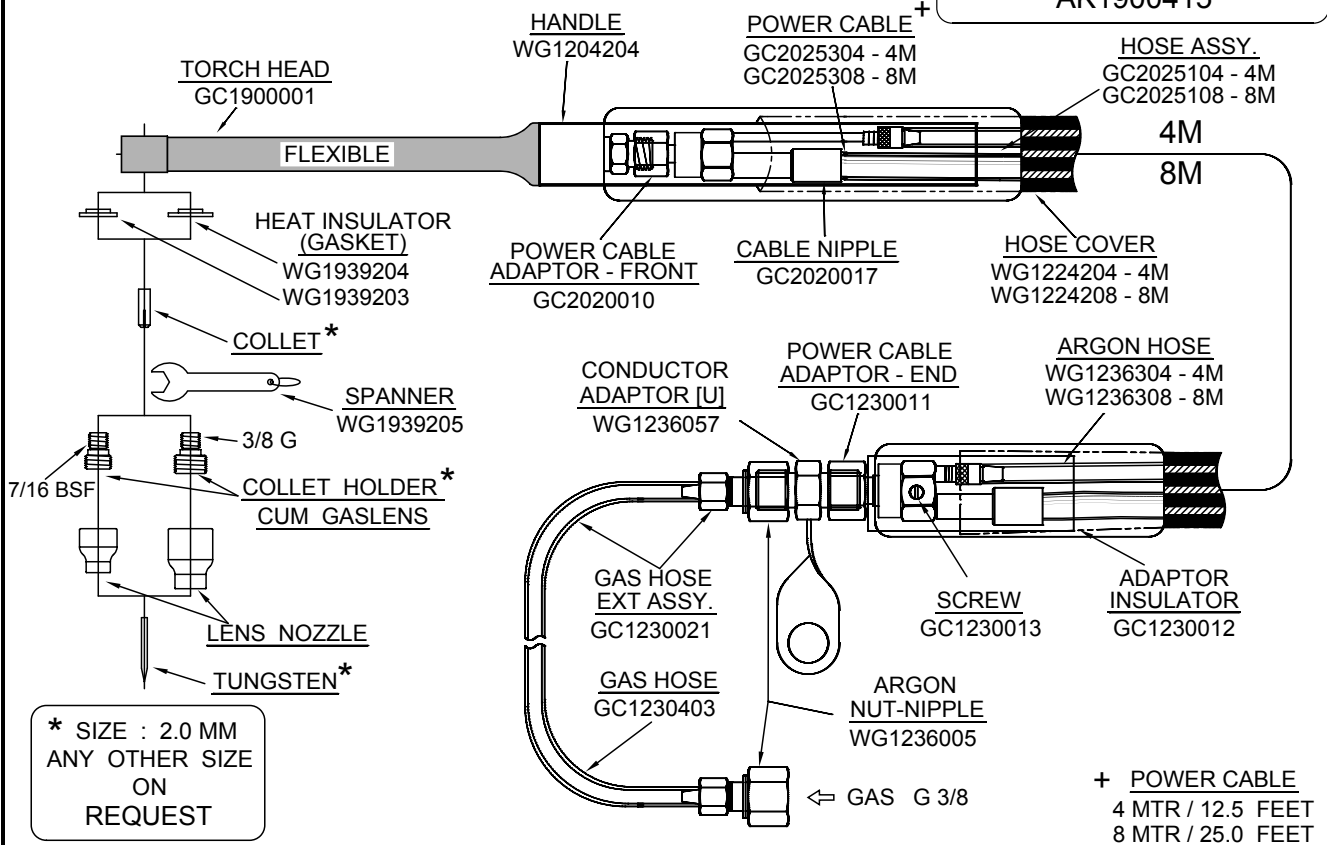
# GTAW TORCH - GAS COOLED 220 AMP MODEL - GC190

## T O R C H K I T

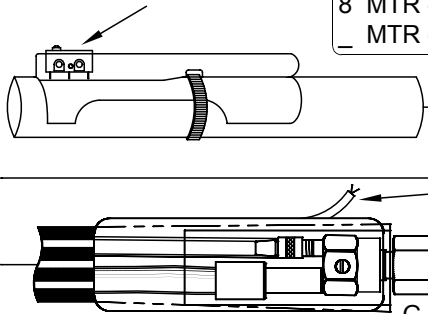
4 MTR - GC190000104  
8 MTR - GC190000108  
\_ MTR - GC1900001\_

## ACCESSORIES KIT

AK1900415



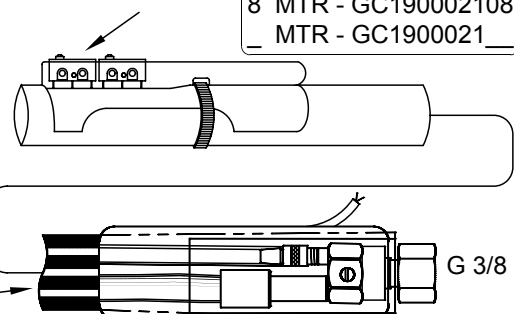
### GAS CONTROL MOMENTARY SWITCH



### T O R C H K I T

4 MTR - GC190001104  
8 MTR - GC190001108  
\_ MTR - GC1900011\_

### GAS CONTROL ON / OFF SWITCH



### T O R C H K I T

4 MTR - GC190002104  
8 MTR - GC190002108  
\_ MTR - GC1900021\_

CONTACT LEAD  
WG1236104 - 4M  
WG1236108 - 8M

HOSE ASSEMBLY (C.L.)  
GC2025204 - 4M  
GC2025208 - 8M

NOTE : MOMENTARY & ON/OFF SWITCH TORCHES ARE WITHOUT CONDUCTOR ADAPTOR & EXT. ASSY. (SELECT HOOKUP KIT PARTS AS PER YOUR REQUIREMENTS)

TUNGSTEN - MM			COLLET - MM		C. H. CUM GAS LENS			LENS NOZZLE					
SIZE	LENGTH	PART	SIZE	PART	SIZE	7/16" BSF - PART	3/8 G - PART	BORE	7/16" BSF PART	BORE	3/8 G - PART		
1.0	29	WS2002910	1.0	WG1939010	1.0	WG1939110	WG1939210	6 MM	WG1230616	6 MM	WG1260630		
									WG1230625				
1.5	29	WS2002915	1.5	WG1939015	1.5 / 1.6	WG1939115	WG1939215	8 MM	WG1230816	8 MM	WG1260830		
									WG1230818				
2.0	29	WS2002920	2.0	WG1939020	2.0	WG1939120	WG1939220	10 MM	WG1231016	10 MM	WG1261030		
									WG1231025				
2.4	29	WS2002924	2.4	WG1939024	2.4 / 2.5	WG1939125	WG1939225						